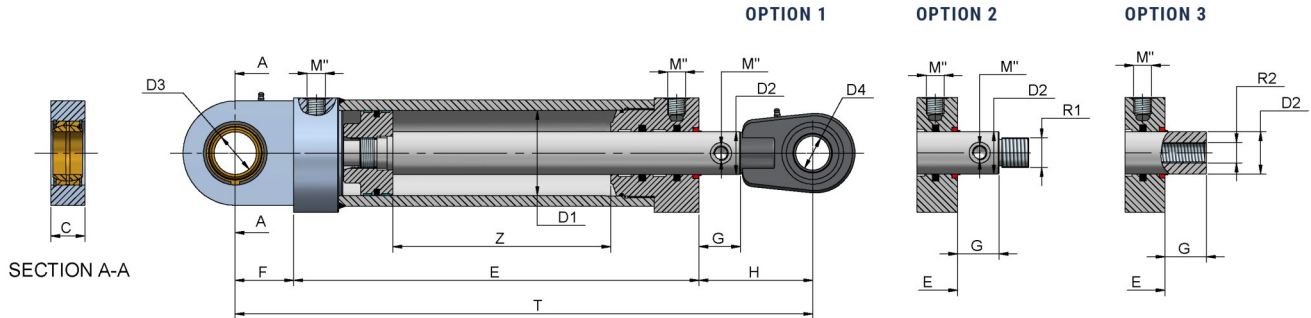


## HIDRAULIC CYLINDERS

Vérins hydrauliques / Cilindros hidráulicos

Spherical eye mountings	Type	<b>S</b>	<b>ISO MP5</b>
Tenons á rotule	Type		
Charnelas con rótula	Tipo		

Nominal pressure	<b>250</b>
Presion nominal	
Presión nominal	



OPTIONAL: "M" CONNECTIONS MAY BADE ON THE PERFORATED ROD  
OPCIONAL: LAS CONEXIONES "M" PUEDEN ESTAR EN EL VASTAGO PERFORADO

REF.	ØD1	ØD2	ØD3 +/-5	ØD4 +/-5	E Outer Body Length Long. exterior botella	Z Stroke Carrera	T Overall Length Longitud total	R		H	F	G	M " BSP
								Male thread Rosca macho	Female thread Rosca Hembra				
OM-8040-300	80	40	40	40	432	300	606	M 35 x 1,5	M 20 x 1,5	99	69	30	3/8"
								M 33 x 2	M 24 x 2				
OM-8040-400	80	40	40	40	532	400	706	M 35 x 1,5	M 20 x 1,5	99	69	30	3/8"
								M 33 x 2	M 24 x 2				
OM-8040-500	80	40	40	40	632	500	806	M 35 x 1,5	M 20 x 1,5	99	69	30	3/8"
								M 33 x 2	M 24 x 2				
OM-8040-600	80	40	40	40	732	600	906	M 35 x 1,5	M 20 x 1,5	99	69	30	3/8"
								M 33 x 2	M 24 x 2				
OM-8045-300	80	45	40	40	432	300	606	M 35 x 1,5	M 20 x 1,5	99	69	30	3/8"
								M 33 x 2	M 24 x 2				
OM-8045-400	80	45	40	40	532	400	706	M 35 x 1,5	M 20 x 1,5	99	69	30	3/8"
								M 33 x 2	M 24 x 2				
OM-8045-500	80	45	40	40	632	500	806	M 35 x 1,5	M 20 x 1,5	99	69	30	3/8"
								M 33 x 2	M 24 x 2				
OM-8045-600	80	45	40	40	732	600	906	M 35 x 1,5	M 20 x 1,5	99	69	30	3/8"
								M 33 x 2	M 24 x 2				
OM-9045-400	90	45	50	50	532	400	756	M 45 x 1,5	M 24 x 2	118	88	30	3/8"
								M 42 x 2	M 30 x 2				
OM-9045-500	90	45	50	50	632	500	856	M 45 x 1,5	M 24 x 2	118	88	30	3/8"
								M 42 x 2	M 30 x 2				
OM-9045-600	90	45	50	50	732	600	956	M 45 x 1,5	M 24 x 2	118	88	30	3/8"
								M 42 x 2	M 30 x 2				
OM-9045-700	90	45	50	50	832	700	1056	M 45 x 1,5	M 24 x 2	118	88	30	3/8"
								M 42 x 2	M 30 x 2				
OM-9045-800	90	45	50	50	932	800	1156	M 45 x 1,5	M 24 x 2	118	88	30	3/8"
								M 42 x 2	M 30 x 2				
OM-9045-900	90	45	50	50	1032	900	1256	M 45 x 1,5	M 24 x 2	118	88	30	3/8"
								M 42 x 2	M 30 x 2				

REF.	ØD1	ØD2	ØD3 +/-5	ØD4 +/-5	E Outer Body Length Long. exterior botella	Z Stroke Carrera	T Overall Length Longitud total	R1	R2	H	F	G	M " BSP
								Male thread Rosca macho	Female thread Rosca Hembra				
OM-9050-400	90	50	50	50	545	400	756	M 45 x 1,5	M 24 x 2	118	88	30	3/8"
								M 42 x 2	M 36 x 3				
OM-9050-500	90	50	50	50	645	500	856	M 45 x 1,5	M 24 x 2	118	88	30	3/8"
								M 42 x 2	M 36 x 3				
OM-9050-600	90	50	50	50	745	600	956	M 45 x 1,5	M 24 x 2	118	88	30	3/8"
								M 42 x 2	M 36 x 3				
OM-9050-700	90	50	50	50	845	700	1056	M 45 x 1,5	M 24 x 2	118	88	30	3/8"
								M 42 x 2	M 36 x 3				
OM-9050-800	90	50	50	50	945	800	1156	M 45 x 1,5	M 24 x 2	118	88	30	3/8"
								M 42 x 2	M 36 x 3				
OM-9050-900	90	50	50	50	1045	900	1256	M 45 x 1,5	M 24 x 2	118	88	30	3/8"
								M 42 x 2	M 36 x 3				
OM-9055-400	90	55	50	50	545	400	756	M 45 x 1,5	M 36 x 3	118	88	30	3/8"
								M 42 x 2	M 42 x 3				
OM-9055-500	90	55	50	50	645	500	856	M 45 x 1,5	M 36 x 3	118	88	30	3/8"
								M 42 x 2	M 42 x 3				
OM-9055-600	90	55	50	50	745	600	956	M 45 x 1,5	M 36 x 3	118	88	30	3/8"
								M 42 x 2	M 42 x 3				
OM-9055-700	90	55	50	50	845	700	1056	M 45 x 1,5	M 36 x 3	118	88	30	3/8"
								M 42 x 2	M 42 x 3				
OM-9055-800	90	55	50	50	945	800	1156	M 45 x 1,5	M 36 x 3	118	88	30	3/8"
								M 42 x 2	M 42 x 3				
OM-9055-900	90	55	50	50	1045	900	1256	M 45 x 1,5	M 36 x 3	118	88	30	3/8"
								M 42 x 2	M 42 x 3				
OM-10050-300	100	50	50	50	445	300	653	M 45 x 1,5	M 24 x 2	128	88	40	1/2"
								M 42 x 2	M 36 x 3				
OM-10050-400	100	50	50	50	545	400	753	M 45 x 1,5	M 24 x 2	128	88	40	1/2"
								M 42 x 2	M 36 x 3				
OM-10050-500	100	50	50	50	645	500	853	M 45 x 1,5	M 24 x 2	128	88	40	1/2"
								M 42 x 2	M 36 x 3				
OM-10050-600	100	50	50	50	745	600	953	M 45 x 1,5	M 24 x 2	128	88	40	1/2"
								M 42 x 2	M 36 x 3				
OM-10050-700	100	50	50	50	845	700	1053	M 45 x 1,5	M 24 x 2	128	88	40	1/2"
								M 42 x 2	M 36 x 3				
OM-10050-800	100	50	50	50	945	800	1153	M 45 x 1,5	M 24 x 2	128	88	40	1/2"
								M 42 x 2	M 36 x 3				
OM-10050-900	100	50	50	50	1045	900	1253	M 45 x 1,5	M 24 x 2	128	88	40	1/2"
								M 42 x 2	M 36 x 3				
OM-10050-1000	100	50	50	50	1145	1000	1353	M 45 x 1,5	M 24 x 2	128	88	40	1/2"
								M 42 x 2	M 36 x 3				

REF.	ØD1	ØD2	ØD3 +/-5	ØD4 +/-5	E Outer Body Length Long. exterior botella	Z Stroke Carrera	T Overall Length Longitud total	R1	R2	H	F	G	M " BSP
								Male thread Rosca macho	Female thread Rosca Hembra				
OM-10056-300	100	56	50	50	445	300	653	M 45 x 1,5	M 36 x 3	128	88	40	1/2"
								M 42 x 2	M 42 x 3				
OM-10056-400	100	56	50	50	545	400	753	M 45 x 1,5	M 36 x 3	128	88	40	1/2"
								M 42 x 2	M 42 x 3				
OM-10056-500	100	56	50	50	645	500	853	M 45 x 1,5	M 36 x 3	128	88	40	1/2"
								M 42 x 2	M 42 x 3				
OM-10056-600	100	56	50	50	745	600	953	M 45 x 1,5	M 36 x 3	128	88	40	1/2"
								M 42 x 2	M 42 x 3				
OM-10056-700	100	56	50	50	845	700	1053	M 45 x 1,5	M 36 x 3	128	88	40	1/2"
								M 42 x 2	M 42 x 3				
OM-10056-800	100	56	50	50	945	800	1153	M 45 x 1,5	M 36 x 3	128	88	40	1/2"
								M 42 x 2	M 42 x 3				
OM-10056-900	100	56	50	50	1045	900	1253	M 45 x 1,5	M 36 x 3	128	88	40	1/2"
								M 42 x 2	M 42 x 3				
OM-10056-1000	100	56	50	50	1145	1000	1353	M 45 x 1,5	M 36 x 3	128	88	40	1/2"
								M 42 x 2	M 42 x 3				
OM-10070-300	100	70	50	50	445	300	653	M 45 x 1,5	M 45 x 3	128	88	40	1/2"
								M 42 x 2	M 52 x 3				
OM-10070-400	100	70	50	50	545	400	753	M 45 x 1,5	M 45 x 3	128	88	40	1/2"
								M 42 x 2	M 52 x 3				
OM-10070-500	100	70	50	50	645	500	853	M 45 x 1,5	M 45 x 3	128	88	40	1/2"
								M 42 x 2	M 52 x 3				
OM-10070-600	100	70	50	50	745	600	953	M 45 x 1,5	M 45 x 3	128	88	40	1/2"
								M 42 x 2	M 52 x 3				
OM-10070-700	100	70	50	50	845	700	1053	M 45 x 1,5	M 45 x 3	128	88	40	1/2"
								M 42 x 2	M 52 x 3				
OM-10070-800	100	70	50	50	945	800	1153	M 45 x 1,5	M 45 x 3	128	88	40	1/2"
								M 42 x 2	M 52 x 3				
OM-10070-900	100	70	50	50	1045	900	1253	M 45 x 1,5	M 45 x 3	128	88	40	1/2"
								M 42 x 2	M 52 x 3				
OM-10070-1000	100	70	50	50	1145	1000	1353	M 45 x 1,5	M 45 x 3	128	88	40	1/2"
								M 42 x 2	M 52 x 3				

REF.	ØD1	ØD2	ØD3 +/-5	ØD4 +/-5	E Outer Body Length Long. exterior botella	Z Stroke Carrera	T Overall Length Longitud total	R1	R2	H	F	G	M " BSP
								Male thread Rosca macho	Female thread Rosca Hembra				
OM-11070-400	110	70	60	60	560	400	802	M 58 x 1,5	M 45 x 3	140	100	40	1/2"
								M 48 x 2	M 52 x 3				
OM-11070-500	110	70	60	60	660	500	902	M 58 x 1,5	M 45 x 3	140	100	40	1/2"
								M 48 x 2	M 52 x 3				
OM-11070-600	110	70	60	60	760	600	1002	M 58 x 1,5	M 45 x 3	140	100	40	1/2"
								M 48 x 2	M 52 x 3				
OM-11070-700	110	70	60	60	860	700	1102	M 58 x 1,5	M 45 x 3	140	100	40	1/2"
								M 48 x 2	M 52 x 3				
OM-11070-800	110	70	60	60	960	800	1202	M 58 x 1,5	M 45 x 3	140	100	40	1/2"
								M 48 x 2	M 52 x 3				
OM-11070-900	110	70	60	60	1060	900	1302	M 58 x 1,5	M 45 x 3	140	100	40	1/2"
								M 48 x 2	M 52 x 3				
OM-11070-1000	110	70	60	60	1160	1000	1402	M 58 x 1,5	M 45 x 3	140	100	40	1/2"
								M 48 x 2	M 52 x 3				
OM-12070-400	120	70	60	60	560	400	817	M 58 x 1,5	M 45 x 3	140	100	40	1/2"
								M 48 x 2	M 52 x 3				
OM-12070-500	120	70	60	60	660	500	917	M 58 x 1,5	M 45 x 3	140	100	40	1/2"
								M 48 x 2	M 52 x 3				
OM-12070-600	120	70	60	60	760	600	1017	M 58 x 1,5	M 45 x 3	140	100	40	1/2"
								M 48 x 2	M 52 x 3				
OM-12070-700	120	70	60	60	860	700	1117	M 58 x 1,5	M 45 x 3	140	100	40	1/2"
								M 48 x 2	M 52 x 3				
OM-12070-800	120	70	60	60	960	800	1217	M 58 x 1,5	M 45 x 3	140	100	40	1/2"
								M 48 x 2	M 52 x 3				
OM-12070-900	120	70	60	60	1060	900	1317	M 58 x 1,5	M 45 x 3	140	100	40	1/2"
								M 48 x 2	M 52 x 3				
OM-12070-1000	120	70	60	60	1160	1000	1417	M 58 x 1,5	M 45 x 3	140	100	40	1/2"
								M 48 x 2	M 52 x 3				

REF.	ØD1	ØD2	ØD3 +/-5	ØD4 +/-5	E Outer Body Length Long. exterior botella	Z Stroke Carrera	T Overall Length Longitud total	R1	R2	H	F	G	M " BSP
								Male thread Rosca macho	Female thread Rosca Hembra				
OM-12080-400	120	80	60	60	560	400	817	M 58 x 1,5	M 45 x 3	140	100	40	1/2"
								M 48 x 2	M 52 x 3				
OM-12080-500	120	80	60	60	660	500	917	M 58 x 1,5	M 45 x 3	140	100	40	1/2"
								M 48 x 2	M 52 x 3				
OM-12080-600	120	80	60	60	760	600	1017	M 58 x 1,5	M 45 x 3	140	100	40	1/2"
								M 48 x 2	M 52 x 3				
OM-12080-700	120	80	60	60	860	700	1117	M 58 x 1,5	M 45 x 3	140	100	40	1/2"
								M 48 x 2	M 52 x 3				
OM-12080-800	120	80	60	60	960	800	1217	M 58 x 1,5	M 45 x 3	140	100	40	1/2"
								M 48 x 2	M 52 x 3				
OM-12080-900	120	80	60	60	1060	900	1317	M 58 x 1,5	M 45 x 3	140	100	40	1/2"
								M 48 x 2	M 52 x 3				
OM-12080-1000	120	80	60	60	1160	1000	1417	M 58 x 1,5	M 45 x 3	140	100	40	1/2"
								M 48 x 2	M 52 x 3				
OM-12570-400	125	70	60	60	590	400	812	M 58 x 1,5	M 45 x 3	140	100	40	1/2"
								M 48 x 2	M 52 x 3				
OM-12570-500	125	70	60	60	690	500	912	M 58 x 1,5	M 45 x 3	140	100	40	1/2"
								M 48 x 2	M 52 x 3				
OM-12570-600	125	70	60	60	790	600	1012	M 58 x 1,5	M 45 x 3	140	100	40	1/2"
								M 48 x 2	M 52 x 3				
OM-12570-700	125	70	60	60	890	700	1112	M 58 x 1,5	M 45 x 3	140	100	40	1/2"
								M 48 x 2	M 52 x 3				
OM-12570-800	125	70	60	60	990	800	1212	M 58 x 1,5	M 45 x 3	140	100	40	1/2"
								M 48 x 2	M 52 x 3				
OM-12570-900	125	70	60	60	1090	900	1312	M 58 x 1,5	M 45 x 3	140	100	40	1/2"
								M 48 x 2	M 52 x 3				
OM-12570-1000	125	70	60	60	1190	1000	1412	M 58 x 1,5	M 45 x 3	140	100	40	1/2"
								M 48 x 2	M 52 x 3				

REF.	ØD1	ØD2	ØD3 +/-5	ØD4 +/-5	E Outer Body Length Long. exterior botella	Z Stroke Carrera	T Overall Length Longitud total	R1	R2	H	F	G	M " BSP
								Male thread Rosca macho	Female thread Rosca Hembra				
OM-12590-400	125	90	60	60	590	400	832	M 58 x 1,5	M 45 x 3	140	100	40	1/2"
								M 48 x 2	M 52 x 3				
OM-12590-500	125	90	60	60	690	500	932	M 58 x 1,5	M 45 x 3	140	100	40	1/2"
								M 48 x 2	M 52 x 3				
OM-12590-600	125	90	60	60	790	600	1032	M 58 x 1,5	M 45 x 3	140	100	40	1/2"
								M 48 x 2	M 52 x 3				
OM-12590-700	125	90	60	60	890	700	1132	M 58 x 1,5	M 45 x 3	140	100	40	1/2"
								M 48 x 2	M 52 x 3				
OM-12590-800	125	90	60	60	990	800	1232	M 58 x 1,5	M 45 x 3	140	100	40	1/2"
								M 48 x 2	M 52 x 3				
OM-12590-900	125	90	60	60	1090	900	1332	M 58 x 1,5	M 45 x 3	140	100	40	1/2"
								M 48 x 2	M 52 x 3				
OM-12590-1000	125	90	60	60	1190	1000	1432	M 58 x 1,5	M 45 x 3	140	100	40	1/2"
								M 48 x 2	M 52 x 3				
OM-14090-500	140	90	70	60	715	500	1010	M 65 x 1,5	M 52 x 3	170	115	55	3/4"
								M 56 x 2	M 56 x 4				
OM-14090-600	140	90	70	60	815	600	1110	M 65 x 1,5	M 52 x 3	170	115	55	3/4"
								M 56 x 2	M 56 x 4				
OM-14090-700	140	90	70	60	915	700	1210	M 65 x 1,5	M 52 x 3	170	115	55	3/4"
								M 56 x 2	M 56 x 4				
OM-14090-800	140	90	70	60	1015	800	1310	M 65 x 1,5	M 52 x 3	170	115	55	3/4"
								M 56 x 2	M 56 x 4				
OM-14090-900	140	90	70	60	1115	900	1410	M 65 x 1,5	M 52 x 3	170	115	55	3/4"
								M 56 x 2	M 56 x 4				
OM-14090-1000	140	90	70	60	1215	1000	1510	M 65 x 1,5	M 52 x 3	170	115	55	3/4"
								M 56 x 2	M 56 x 4				
OM-14090-1100	140	90	70	60	1315	1100	1610	M 65 x 1,5	M 52 x 3	170	115	55	3/4"
								M 56 x 2	M 56 x 4				

REF.	ØD1	ØD2	ØD3 +/-5	ØD4 +/-5	E Outer Body Length Long. exterior botella	Z Stroke Carrera	T Overall Length Longitud total	R1	R2	H	F	G	M " BSP
								Male thread Rosca macho	Female thread Rosca Hembra				
OM-160100-500	160	100	80	70	745	500	1072	M 80 x 2	M 56 x 4	196	141	55	3/4"
								M 64 x 3	M 64 x 4				
OM-160100-600	160	100	80	70	845	600	1172	M 80 x 2	M 56 x 4	196	141	55	3/4"
								M 64 x 3	M 64 x 4				
OM-160100-700	160	100	80	70	945	700	1272	M 80 x 2	M 56 x 4	196	141	55	3/4"
								M 64 x 3	M 64 x 4				
OM-160100-800	160	100	80	70	1045	800	1372	M 80 x 2	M 56 x 4	196	141	55	3/4"
								M 64 x 3	M 64 x 4				
OM-160100-900	160	100	80	70	1145	900	1472	M 80 x 2	M 56 x 4	196	141	55	3/4"
								M 64 x 3	M 64 x 4				
OM-160100-1000	160	100	80	70	1245	1000	1572	M 80 x 2	M 56 x 4	196	141	55	3/4"
								M 64 x 3	M 64 x 4				
OM-160100-1100	160	100	80	70	1345	1100	1672	M 80 x 2	M 56 x 4	196	141	55	3/4"
								M 64 x 3	M 64 x 4				
OM-160100-1200	160	100	80	70	1445	1200	1772	M 80 x 2	M 56 x 4	196	141	55	3/4"
								M 64 x 3	M 64 x 4				
OM-160110-500	160	110	80	70	745	500	1072	M 80 x 2	M 56 x 4	196	141	55	3/4"
								M 64 x 3	M 64 x 4				
OM-160110-600	160	110	80	70	845	600	1172	M 80 x 2	M 56 x 4	196	141	55	3/4"
								M 64 x 3	M 64 x 4				
OM-160110-700	160	110	80	70	945	700	1272	M 80 x 2	M 56 x 4	196	141	55	3/4"
								M 64 x 3	M 64 x 4				
OM-160110-800	160	110	80	70	1045	800	1372	M 80 x 2	M 56 x 4	196	141	55	3/4"
								M 64 x 3	M 64 x 4				
OM-160110-900	160	110	80	70	1145	900	1472	M 80 x 2	M 56 x 4	196	141	55	3/4"
								M 64 x 3	M 64 x 4				
OM-160110-1000	160	110	80	70	1245	1000	1572	M 80 x 2	M 56 x 4	196	141	55	3/4"
								M 64 x 3	M 64 x 4				
OM-160110-1100	160	110	80	70	1345	1100	1672	M 80 x 2	M 56 x 4	196	141	55	3/4"
								M 64 x 3	M 64 x 4				
OM-160110-1200	160	110	80	70	1445	1200	1772	M 80 x 2	M 56 x 4	196	141	55	3/4"
								M 64 x 3	M 64 x 4				

REF.	ØD1	ØD2	ØD3 +/-5	ØD4 +/-5	E Outer Body Length Long. exterior botella	Z Stroke Carrera	T Overall Length Longitud total	R1	R2	H	F	G	M " BSP
								Male thread Rosca macho	Female thread Rosca Hembra				
OM-180110-600	180	100	80	80	870	600	1184	M 100 x 2	M 56 x 4	196	150	55	3/4"
								M 72 x 3	M 64 x 4				
OM-180100-700	180	100	80	80	970	700	1284	M 100 x 2	M 56 x 4	196	150	55	3/4"
								M 72 x 3	M 64 x 4				
OM-180100-800	180	100	80	80	1070	800	1384	M 100 x 2	M 56 x 4	196	150	55	3/4"
								M 72 x 3	M 64 x 4				
OM-180100-900	180	100	80	80	1170	900	1484	M 100 x 2	M 56 x 4	196	150	55	3/4"
								M 72 x 3	M 64 x 4				
OM-180100-1000	180	100	80	80	1270	1000	1584	M 100 x 2	M 56 x 4	196	150	55	3/4"
								M 72 x 3	M 64 x 4				
OM-180100-1100	180	100	80	80	1370	1100	1684	M 100 x 2	M 56 x 4	196	150	55	3/4"
								M 72 x 3	M 64 x 4				
OM-180100-1200	180	100	80	80	1470	1200	1784	M 100 x 2	M 56 x 4	196	150	55	3/4"
								M 72 x 3	M 64 x 4				
OM-180100-1300	180	100	80	80	1570	1300	1884	M 100 x 2	M 56 x 4	196	150	55	3/4"
								M 72 x 3	M 64 x 4				
OM-180100-1400	180	100	80	80	1670	1400	1984	M 100 x 2	M 56 x 4	196	150	55	3/4"
								M 72 x 3	M 64 x 4				
OM-180110-600	180	110	80	80	870	600	1184	M 100 x 2	M 56 x 4	196	150	55	3/4"
								M 72 x 3	M 64 x 4				
OM-180110-700	180	110	80	80	970	700	1284	M 100 x 2	M 56 x 4	196	150	55	3/4"
								M 72 x 3	M 64 x 4				
OM-180110-800	180	110	80	80	1070	800	1384	M 100 x 2	M 56 x 4	196	150	55	3/4"
								M 72 x 3	M 64 x 4				
OM-180110-900	180	110	80	80	1170	900	1484	M 100 x 2	M 56 x 4	196	150	55	3/4"
								M 72 x 3	M 64 x 4				
OM-180110-1000	180	110	80	80	1270	1000	1584	M 100 x 2	M 56 x 4	196	150	55	3/4"
								M 72 x 3	M 64 x 4				
OM-180110-1100	180	110	80	80	1370	1100	1684	M 100 x 2	M 56 x 4	196	150	55	3/4"
								M 72 x 3	M 64 x 4				
OM-180110-1200	180	110	80	80	1470	1200	1784	M 100 x 2	M 56 x 4	196	150	55	3/4"
								M 72 x 3	M 64 x 4				
OM-180110-1300	180	110	80	80	1570	1300	1884	M 100 x 2	M 56 x 4	196	150	55	3/4"
								M 72 x 3	M 64 x 4				
OM-180110-1400	180	110	80	80	1670	1400	1984	M 100 x 2	M 56 x 4	196	150	55	3/4"
								M 72 x 3	M 64 x 4				

REF.	ØD1	ØD2	ØD3 +/-5	ØD4 +/-5	E Outer Body Length Long. exterior botella	Z Stroke Carrera	T Overall Length Longitud total	R1	R2	H	F	G	M " BSP
								Male thread Rosca macho	Female thread Rosca Hembra				
OM-180130-600	180	130	80	80	870	600	1184	M 100 x 2	M 56 x 4	200	150	55	3/4"
								M 72 x 3	M 64 x 4				
OM-180130-700	180	130	80	80	970	700	1284	M 100 x 2	M 56 x 4	200	150	55	3/4"
								M 72 x 3	M 64 x 4				
OM-180130-800	180	130	80	80	1070	800	1384	M 100 x 2	M 56 x 4	200	150	55	3/4"
								M 72 x 3	M 64 x 4				
OM-180130-900	180	130	80	80	1170	900	1484	M 100 x 2	M 56 x 4	200	150	55	3/4"
								M 72 x 3	M 64 x 4				
OM-180130-1000	180	130	80	80	1270	1000	1584	M 100 x 2	M 56 x 4	200	150	55	3/4"
								M 72 x 3	M 64 x 4				
OM-180130-1100	180	130	80	80	1370	1100	1684	M 100 x 2	M 56 x 4	200	150	55	3/4"
								M 72 x 3	M 64 x 4				
OM-180130-1200	180	130	80	80	1470	1200	1784	M 100 x 2	M 56 x 4	200	150	55	3/4"
								M 72 x 3	M 64 x 4				
OM-180130-1300	180	130	80	80	1570	1300	1884	M 100 x 2	M 56 x 4	200	150	55	3/4"
								M 72 x 3	M 64 x 4				
OM-180130-1400	180	130	80	80	1670	1400	1984	M 100 x 2	M 56 x 4	200	150	55	3/4"
								M 72 x 3	M 64 x 4				